

Frame-Structure Concealed Cistern Installation Manual

Manual de Instalación para Inodoros Suspendidos:

V25ZA21

Inodoro suspendido redondo, línea klass, incluye botonera dual cromada, estructura y tanque para instalación.

SV25YA21

Inodoro suspendido cuadrado, línea klass, incluye botonera dual cromada, estructura y tanque para instalación.

SV27ZA21

Inodoro al piso redondo, línea klass, incluye botonera dual cromada, estructura y tanque para instalación

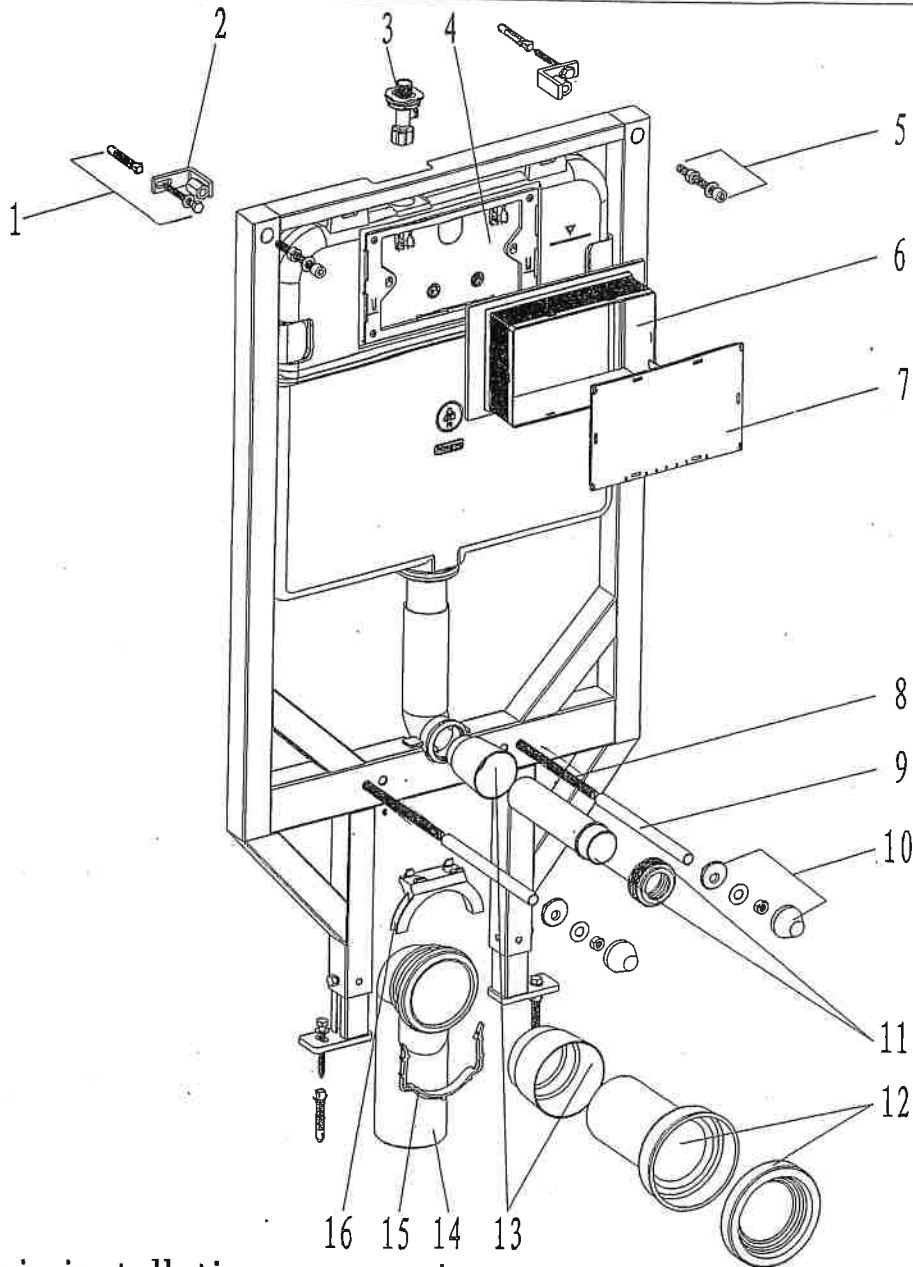
Manual de Instalación para Inodoros Suspendidos para fluxómetros (Manual de Referencia):

SV26ZA21

Inodoro suspendido redondo, línea klass, para fluxómetro.

SV26YA21

Inodoro suspendido cuadrado, línea klass, para fluxómetro.



List of main installation accessories

No.	Description	Qty	Function
1	Expansion screw	4	Mounting of frame and wall bracket
2	Wall bracket	2	Fixation of frame
3	Angle valve	1	Fill valve inlet and shut-off
4	Cistern cover	1	Airproof tank and mounting of locking bracket
5	Socket head screw	2	Mounting of frame and locking into wall bracket
6	Plastic holder	1	To reserve space for installation of actuator at wall building
7	Plastic holder cover	1	To prevent dust and impurities into tank at wall building
8	Connecting screw	2	To mount ceramic bowl
9	Protective cover	2	To protect connecting screw at wall building
10	Ceramic bowl fixing accessories	2	To mount ceramic bowl
11	Straight tube	1	To joint cistern into ceramic bowl (cutting in accordance with wall thickness)
12	Connecting pipe	1	To joint cistern into ceramic bowl (cutting in accordance with wall thickness)
13	Piping stopper	2	To reserve space for straight tube and connecting pipe
14	Draining syphon	1	To discharge liquid and solid waste from ceramic bowl.
15	Draining syphon holder	1	To mount draining syphon
16	Mounting bracket	1	To mount draining syphon

Important instruction:

1. Please adhere to the following installation instructions. We shall not be responsible for failures and loss that are contributed to improper installation.
2. Please confirm the fixation location of frame prior to installation and obtain the finished floor surface. Draw FEL on installation wall and follow it as baseline from ZERO (0) level.
3. The instructions have been composed based in the latest product specifications. We reserve the right to make modifications to the packaging and specifications without providing prior notification.

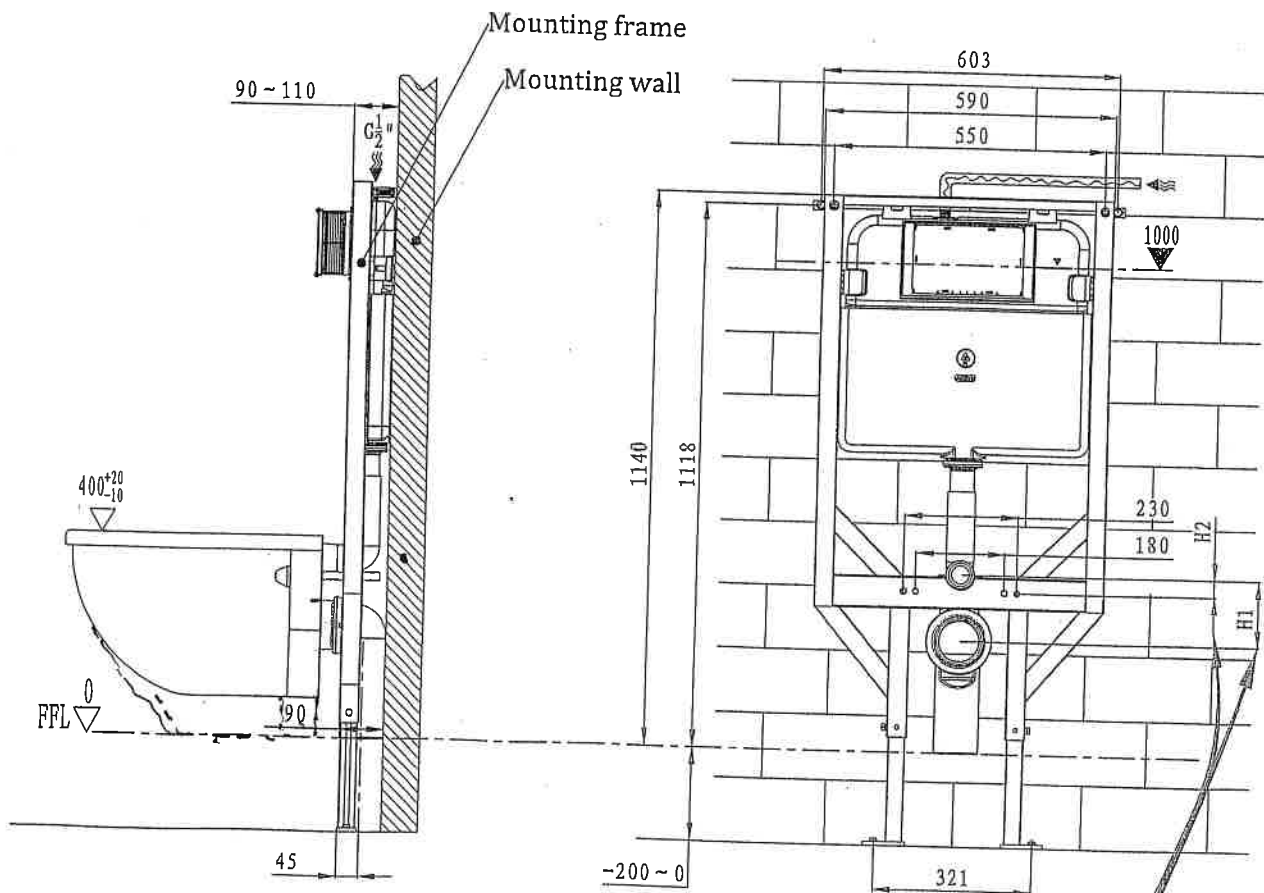
NOTES:

1. Mount before bricks building.
 2. All size unit in MM.
 3. Follow the material product, should there is an unconformity with drawing.
- Finished Floor.

  = FINISHED FLOOR

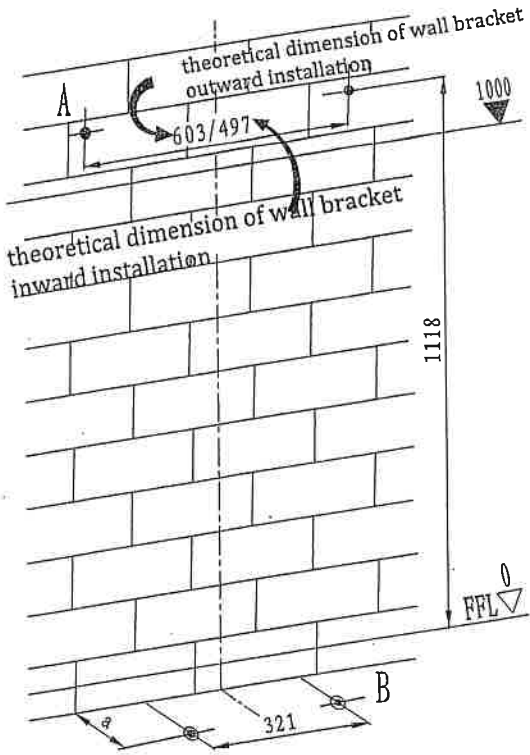
1. General dimension and water supply drawing

Water supply from top
(water supply should be connected to angle valve inside cistern)

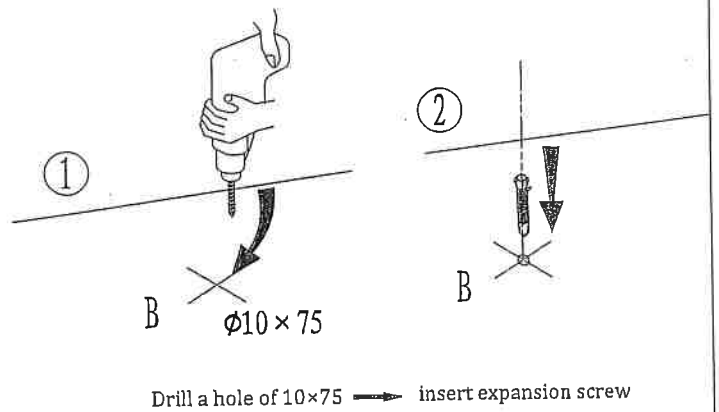
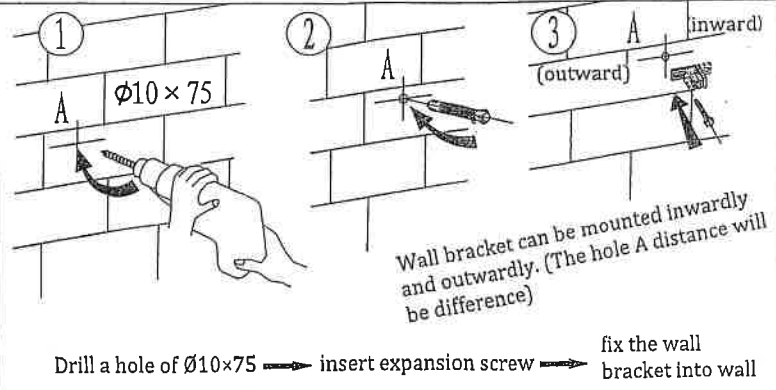


Dimension of H1 & H2
subject to available parts.

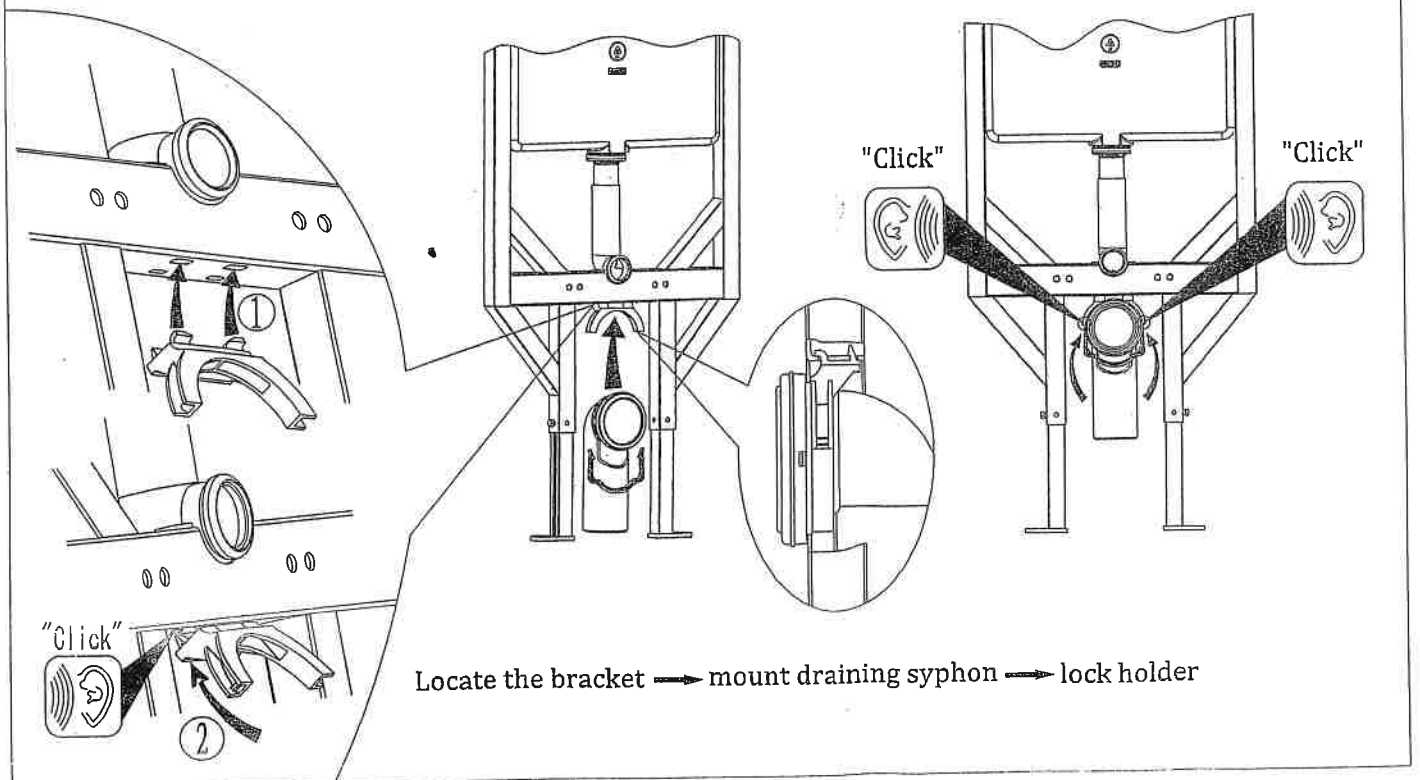
2. Drill holes on mounting wall and floor and install expansion screws



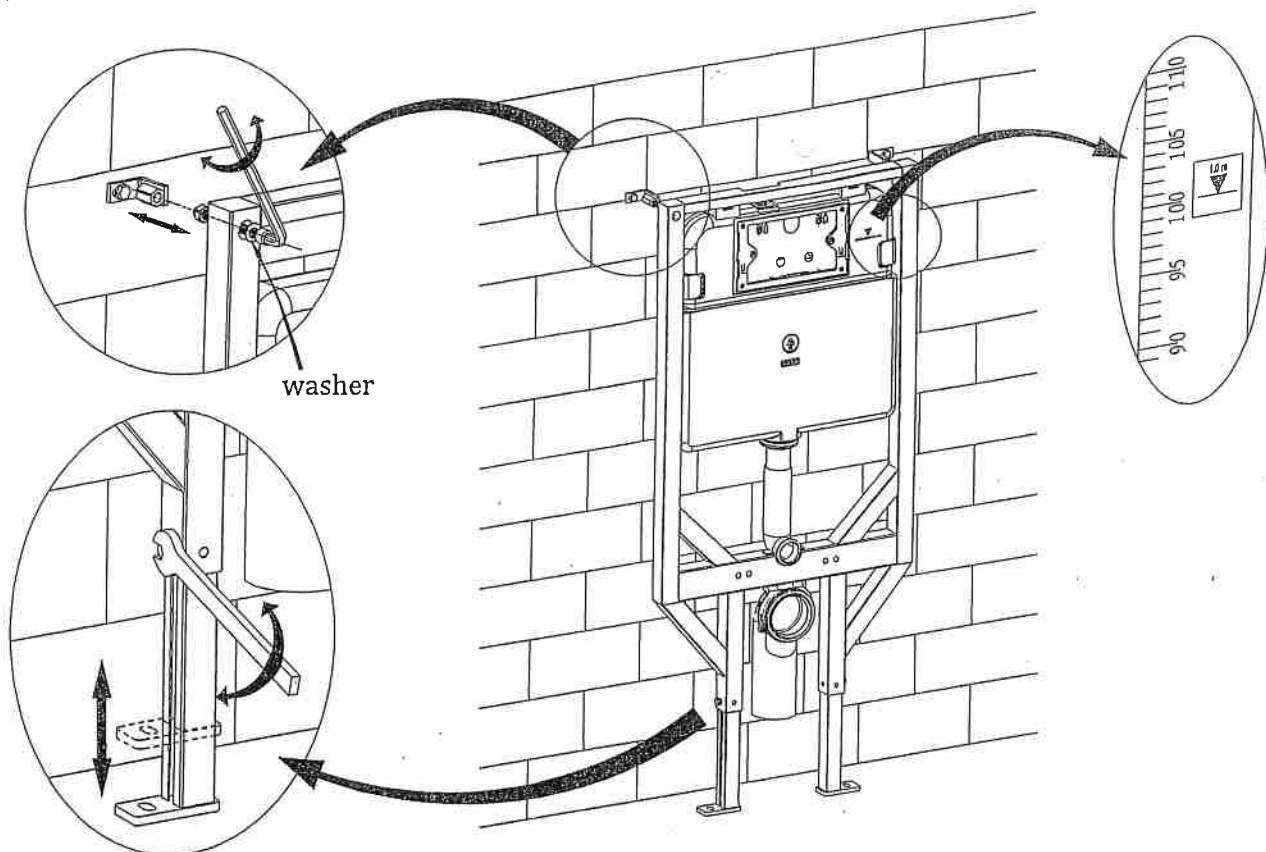
A dimension according to practical location of flushing pipe
 ☆ Note: Above drilling are theoretical dimensions of frame mounting.
 Please follow by the practical location of frame.



3. Installation of draining syphon

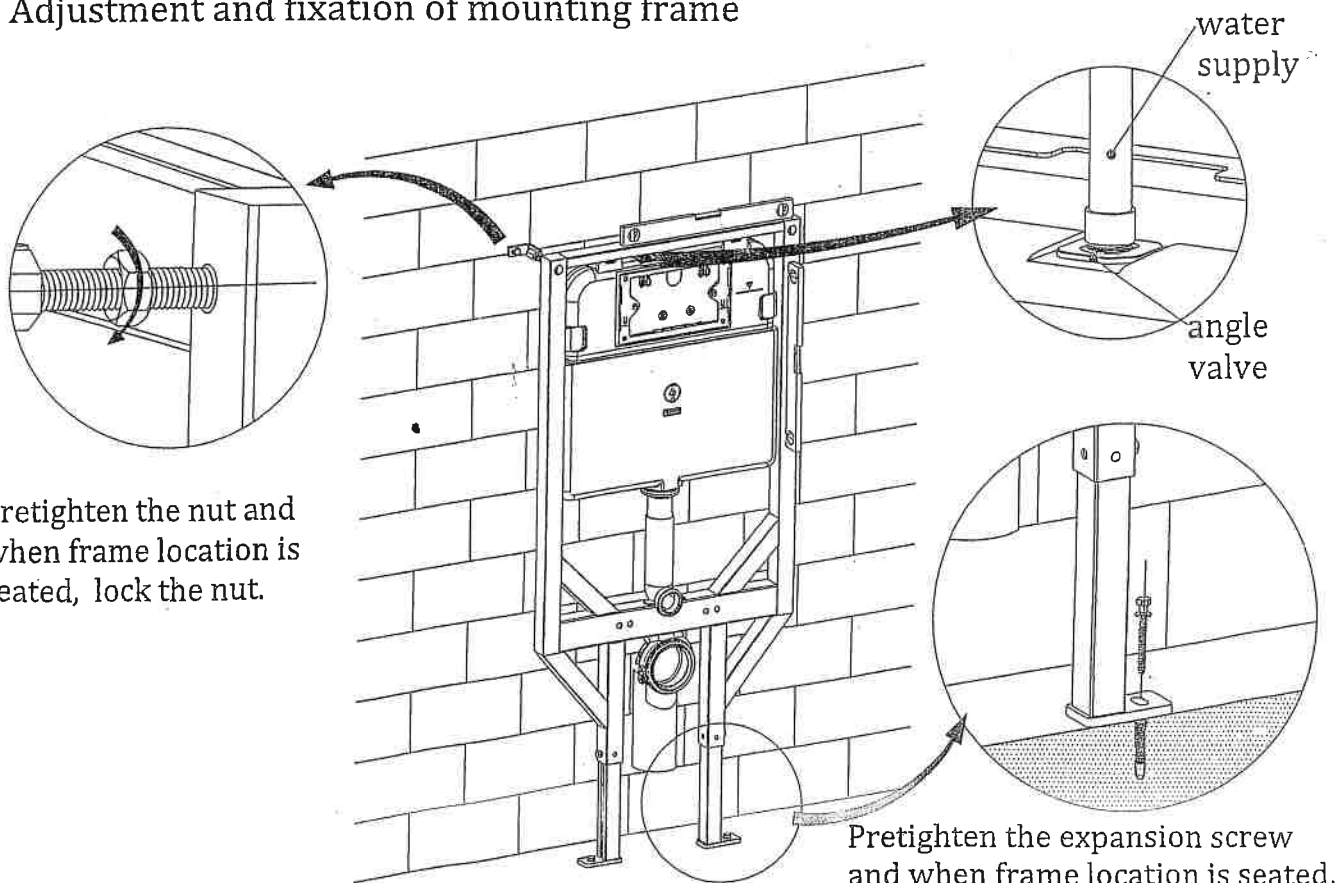


4. Adjustment of socket head screw and floor fixing accessories



Move adjusting leg to desired position

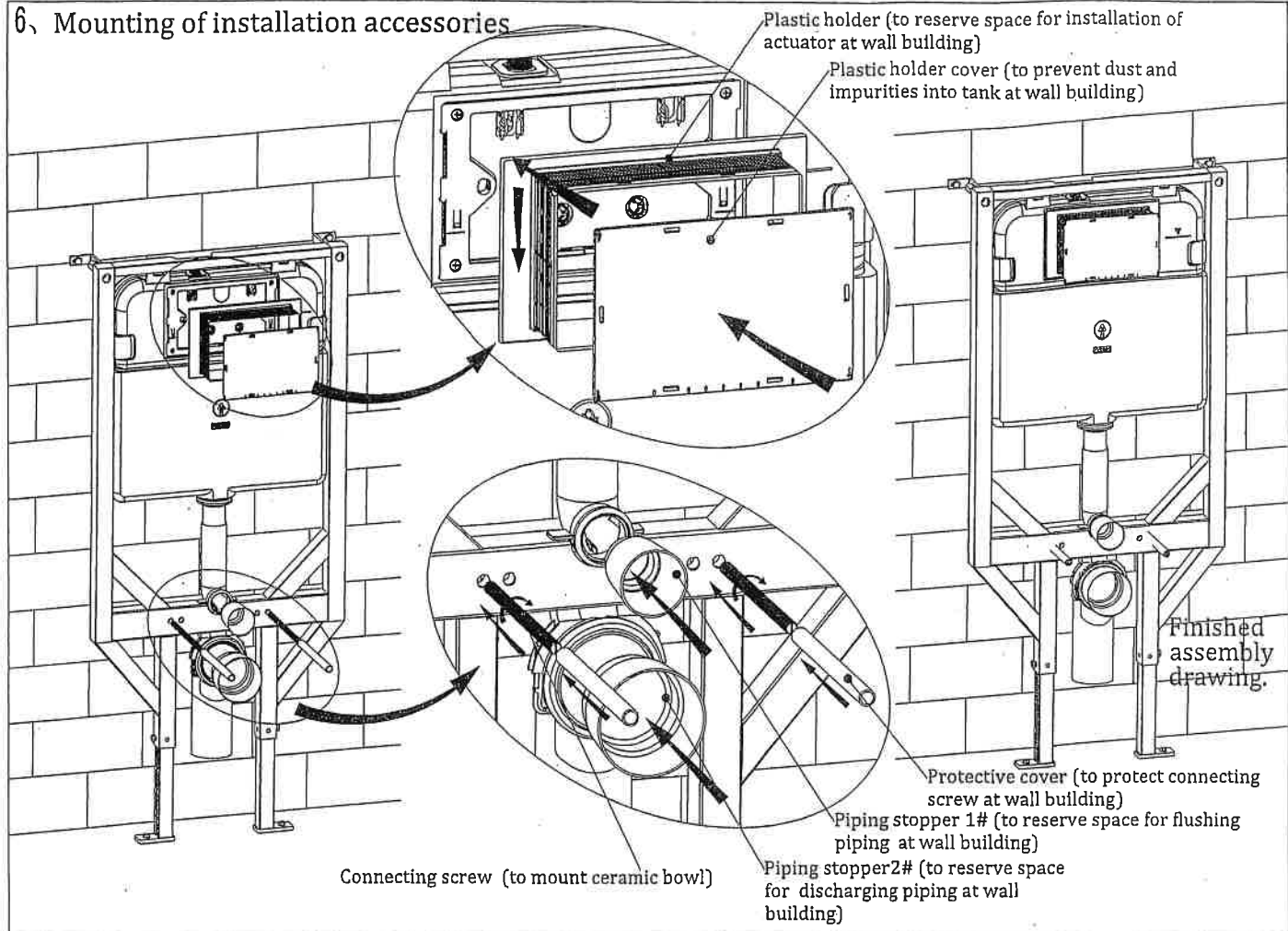
5. Adjustment and fixation of mounting frame



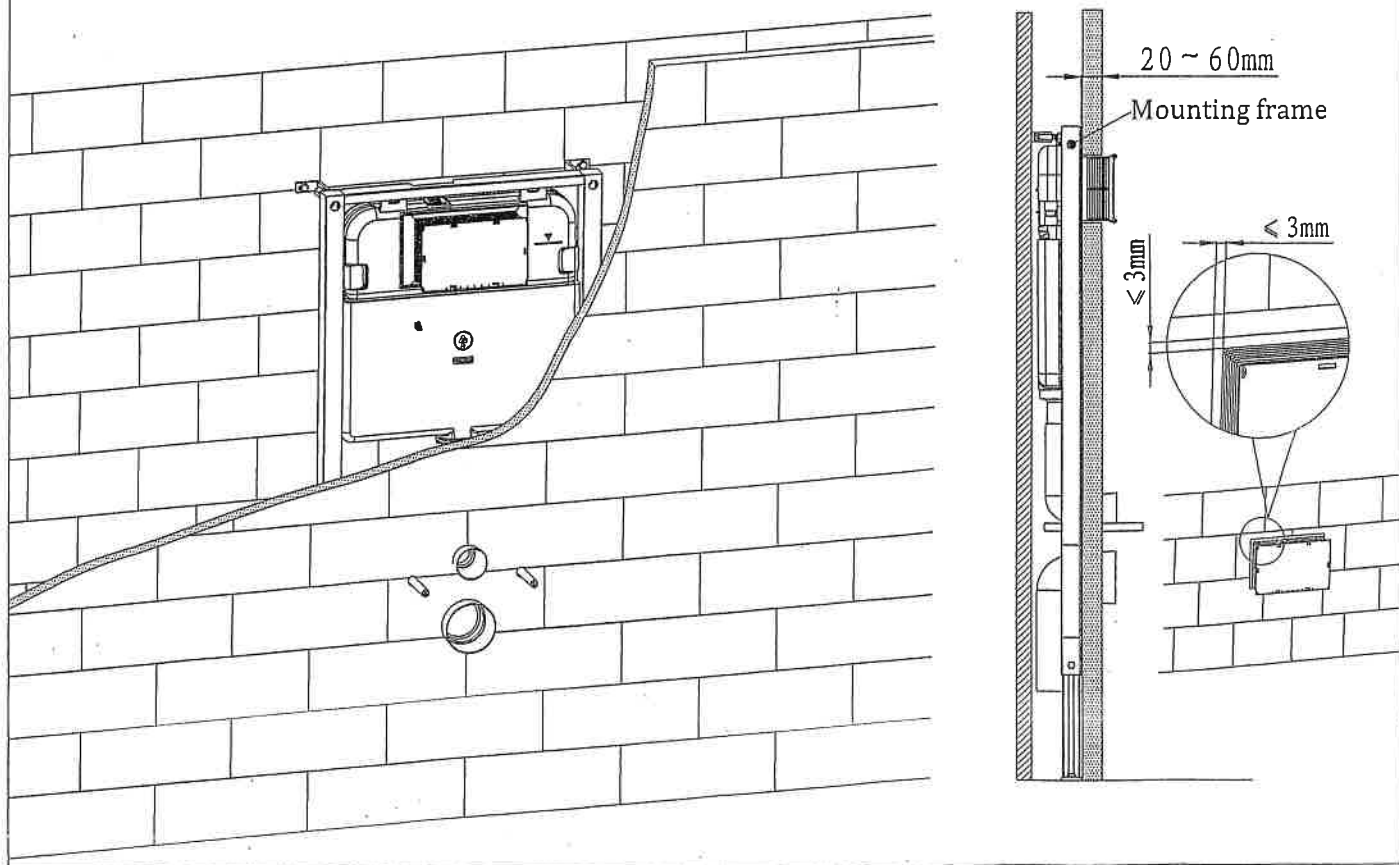
Pretighten the nut and when frame location is seated, lock the nut.

Pretighten the expansion screw and when frame location is seated, lock screw.

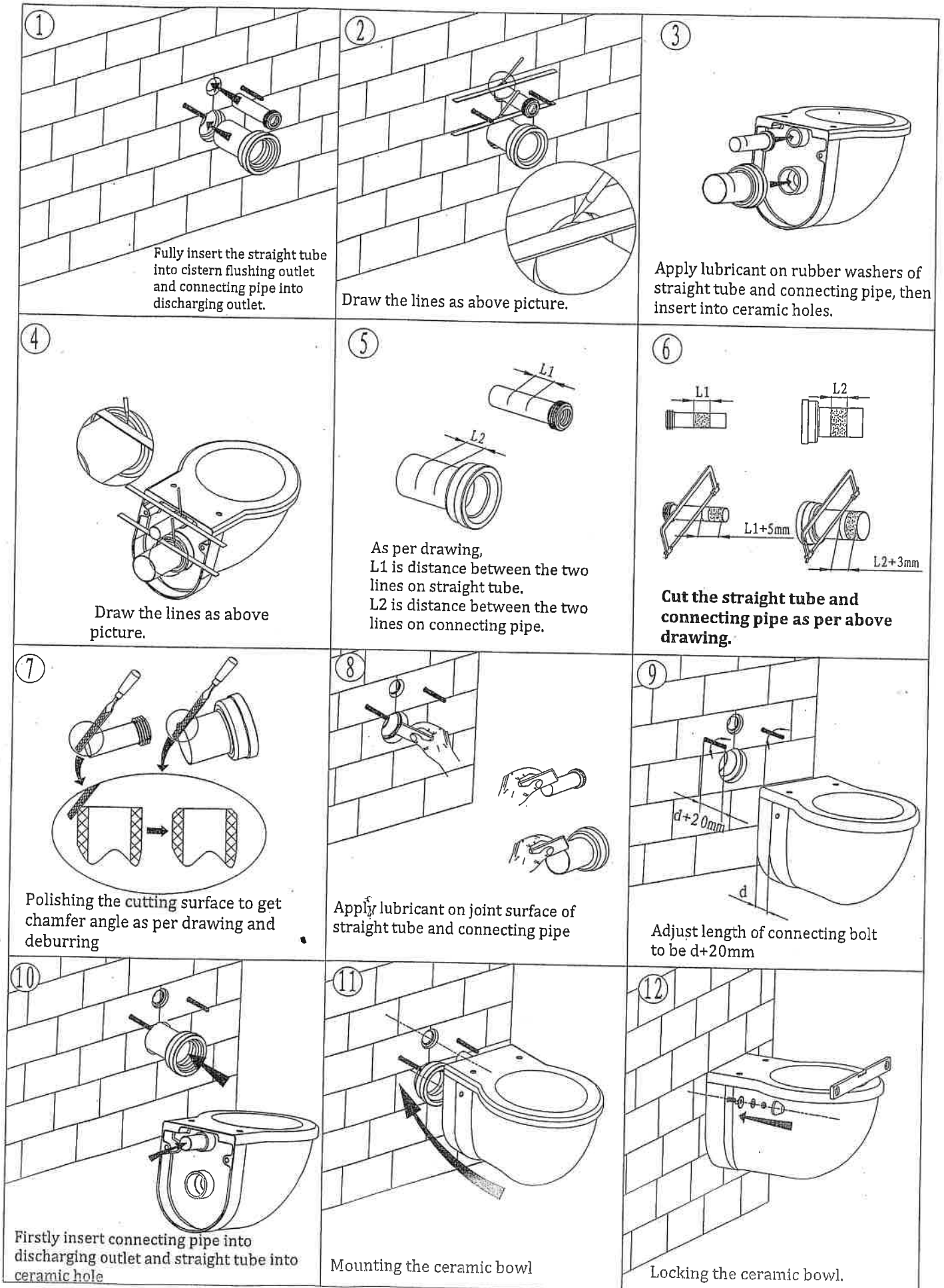
6、 Mounting of installation accessories



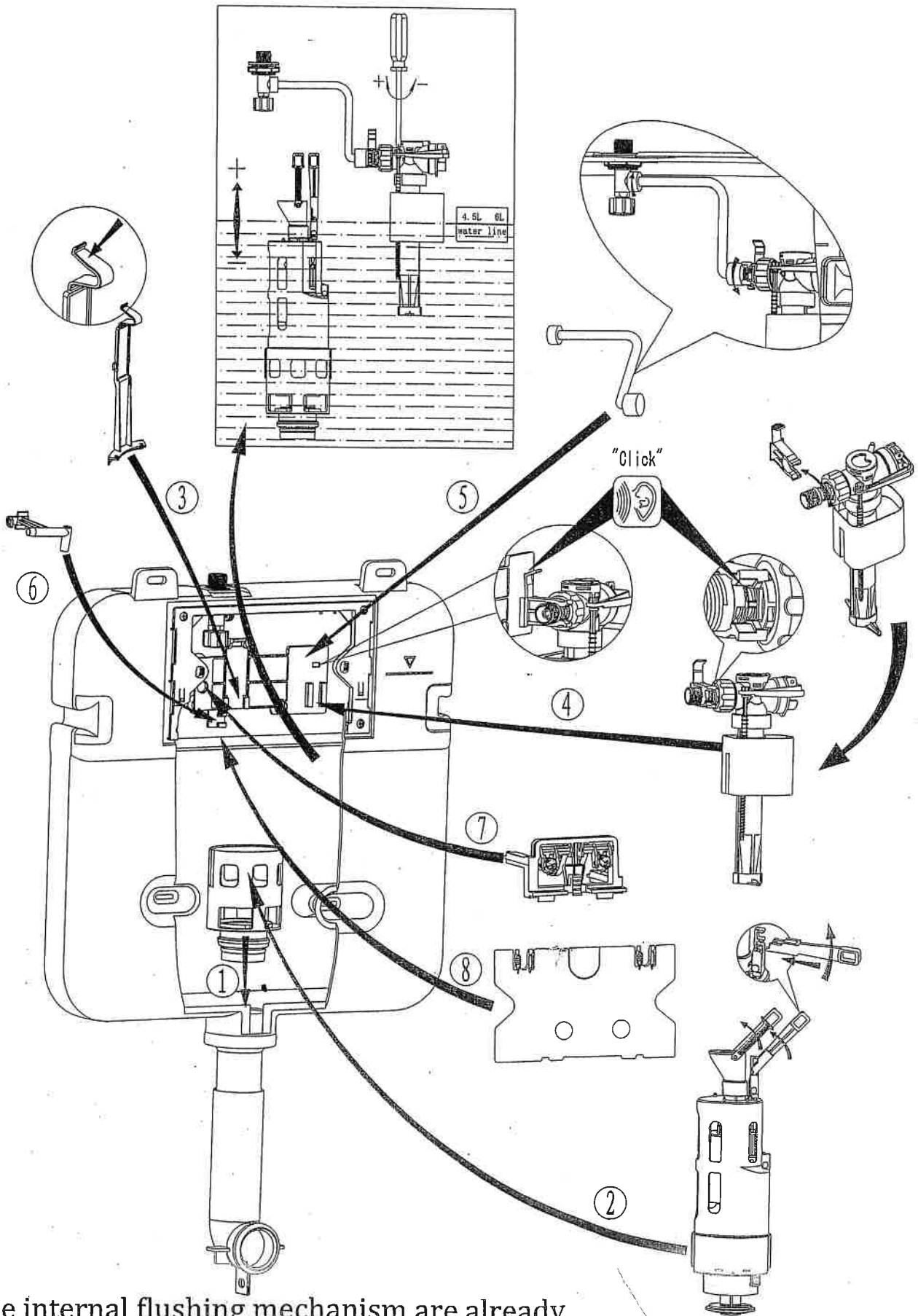
7、 Wall thickness range 20-60mm (from frame outside surface to finished wall)



8. Mounting of ceramic bowl



9. Internal flushing mechanism assembly drawing



The internal flushing mechanism are already well-assembled and above picture only for reference.